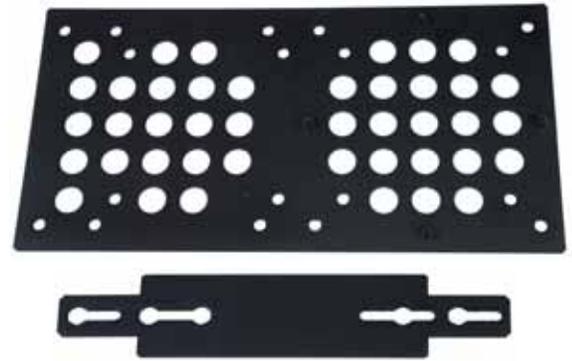




# ST-C5MK-VESA

## VESA MOUNTING BRACKET KIT

### Installation Instruction

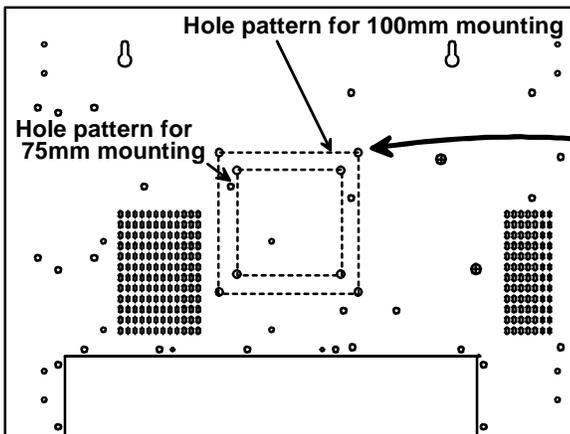


The ST-C5MK-VESA is a **VESA Mounting Bracket Kit** that allows an NTI extender (XTENDEX) to be easily mounted to the back of a flat panel monitor enabling simple and clean cable routing and saving valuable desk space. The ST-C5MK-VESA is provided with two sets of mounting holes compliant to VESA 75mm and 100mm mounting hole patterns. Two sets of standoffs allow the NTI XTENDEX to be attached such that cables can approach from any of 4 directions. See the chart below for XTENDEX models that can be mounted using the ST-C5MK-VESA.

Compatible XTENDEX Models	Where to find:
ST-C5x-600: Remote Units only	<a href="http://www.networktechinc.com/cat5.html">http://www.networktechinc.com/cat5.html</a> <a href="http://www.networktechinc.com/cat5-vga.html">http://www.networktechinc.com/cat5-vga.html</a>
ST-C5x-300: Remote and Local Units	<a href="http://www.networktechinc.com/cat5-300.html">http://www.networktechinc.com/cat5-300.html</a> <a href="http://www.networktechinc.com/cat5-300-vga.html">http://www.networktechinc.com/cat5-300-vga.html</a>
ST-C5x-1000: Remote Units only	<a href="http://www.networktechinc.com/cat5-1000.html">http://www.networktechinc.com/cat5-1000.html</a> <a href="http://www.networktechinc.com/cat5-1000-vga.html">http://www.networktechinc.com/cat5-1000-vga.html</a>

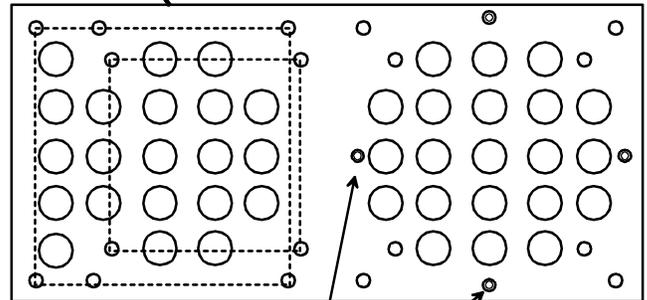
### Installation

1. If the existing monitor support arm bracket (see picture on page 3 for reference) has not already been removed from the monitor, remove it now.
2. Place the large ST-C5MK-VESA mounting bracket between the support arm bracket and the monitor. The holes in the support arm bracket will line up with either the holes in the VESA 75mm pattern or the 100mm pattern (see image below). Reapply the screws to secure the support arm bracket and the large ST-C5MK-VESA mounting bracket to the monitor. Be sure to tighten the screws securely.



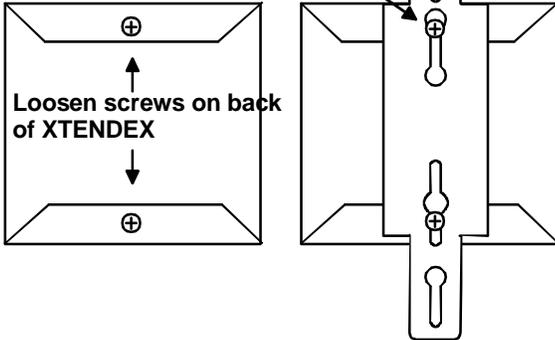
Rear View of LCD monitor

Place VESA mounting bracket between the monitor mounting plate and the monitor. Use either the 75mm hole pattern or the 100mm hole pattern.



Standoffs for mounting the XTENDEX

Place bracket on XTENDEX over screws and slide into keyhole slot. Tighten screws on back of XTENDEX



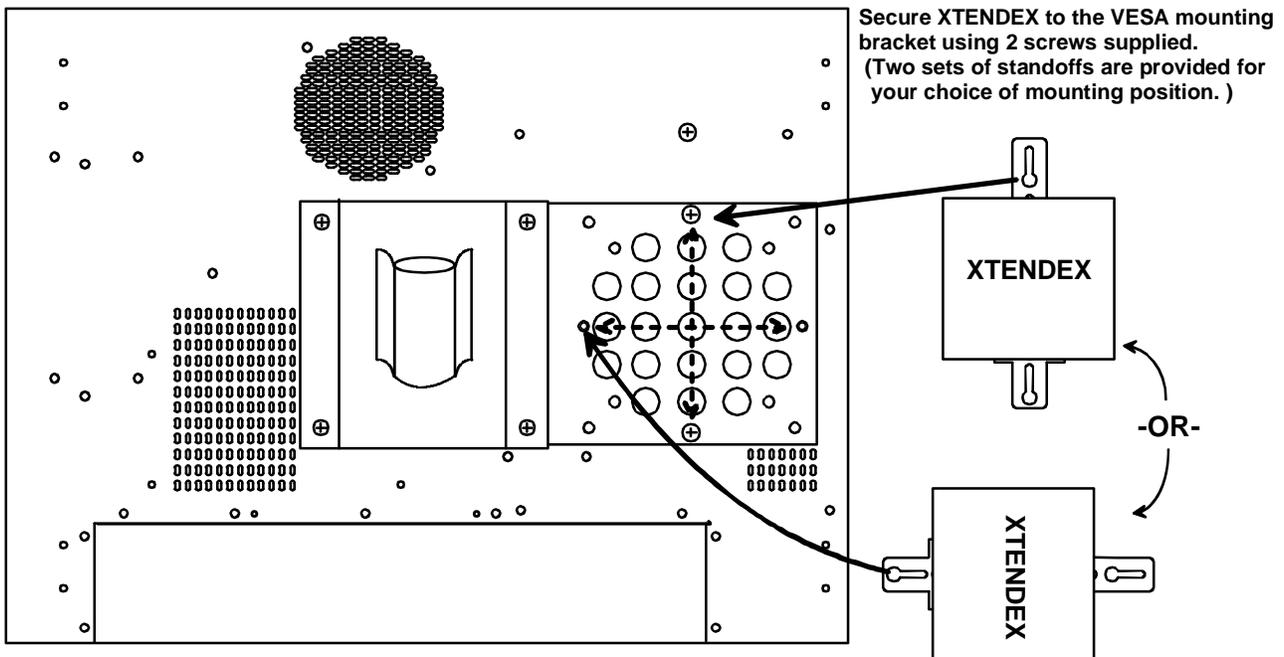
3. Loosen the two screws on the back of the XTENDEX and apply the small mounting bracket supplied with your kit. Slide the bracket so that the screws on the XTENDEX are captured in the slots in the bracket. Tighten the screws.

**Note: Some models of NTI XTENDEX instead have extra holes on the back for mounting this bracket and require two additional screws to be applied. Two extra #4-40 x 3/16" screws have been supplied with this kit for this purpose.**

4. Determine the desired mounting position for the XTENDEX on the monitor such that the cables will best approach the XTENDEX for easy cable routing.

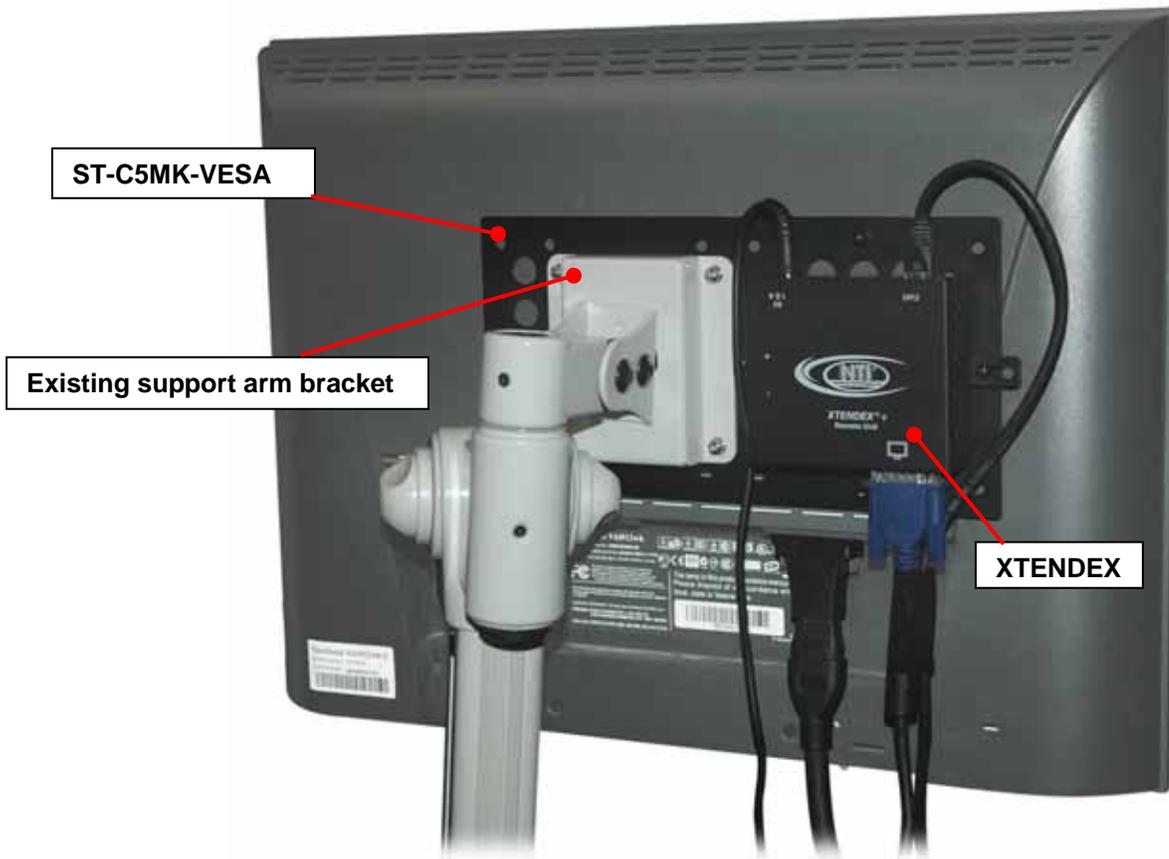
5. Loosely apply the two screws provided to the standoffs on the VESA mounting bracket that will be used to hold the XTENDEX in the desired position (see image below).

6. Apply the XTENDEX to the two screws through the openings in the keyhole slots, slide the XTENDEX to capture the small mounting bracket under the screw heads, and tighten the screws.



Secure XTENDEX to the VESA mounting bracket using 2 screws supplied. (Two sets of standoffs are provided for your choice of mounting position.)

7. Hardware installation is complete. (See image on page 3.) Attach cables.



## Warranty Information

The warranty period on this product (parts and labor) is two (2) years from the date of purchase. Please contact Network Technologies Inc at **(800) 742-8324** (800-RGB-TECH) or **(330) 562-7070** or visit our website at <http://www.networktechinc.com> for information regarding repairs and/or returns. A return authorization number is required for all repairs/returns.

### COPYRIGHT

Copyright © 2008 by Network Technologies Inc. All rights reserved. No part of this publication may be reproduced, stored in a retrieval system, or transmitted, in any form or by any means, electronic, mechanical, photocopying, recording, or otherwise, without the prior written consent of Network Technologies Inc, 1275 Danner Drive, Aurora, Ohio 44202.

### CHANGES

The material in this guide is for information only and is subject to change without notice. Network Technologies Inc reserves the right to make changes in the product design without reservation and without notification to its users.